

FD804GW-DAG-Z710 Triple Play Dual-Band ONU



Brief Views

FD804GW-DAG-Z710 GPON ONU is fiber to the home multi service access GPON ONU. It's based on the mature, stable, high cost performance GPON technology and has gigabit Ethernet switching, WDM and HFC technology. FD804GW-DAG-Z710 has a higher bandwidth, higher reliability, easy management and good quality of service (QoS) guarantee with technical performance of equipment meet the ITU G. 984 requirements and have good compatibility with third party manufacturers OLT.

It adopts single fiber WDM technology with downlink wavelength 1490nm and 1550nm, uplink wavelength 1310nm .It only needs one-core fiber to transmit data service.

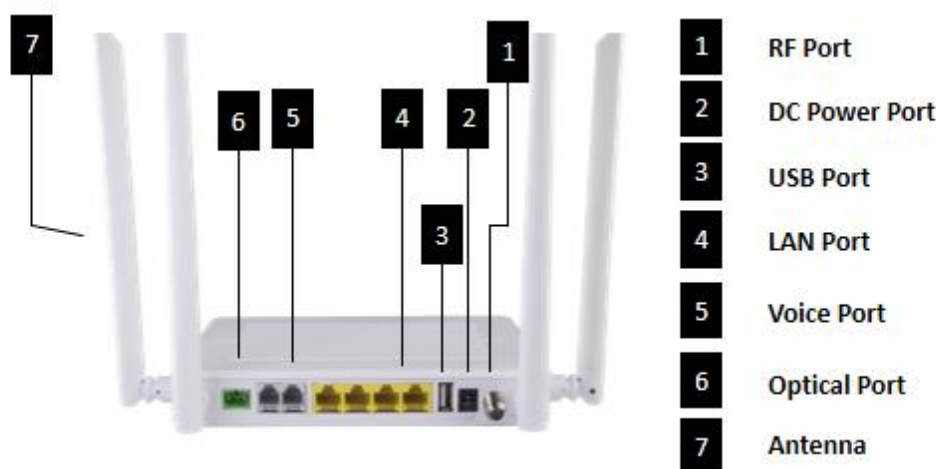
FD804GW-DAG-Z710 provides 1 PON port , 2 POTS port, 4 10/100/1000M Ethernet adaptive ports, 1 USB port, 1 CATV RF output and 802.11a/b/g/n/ac Wi-Fi access.

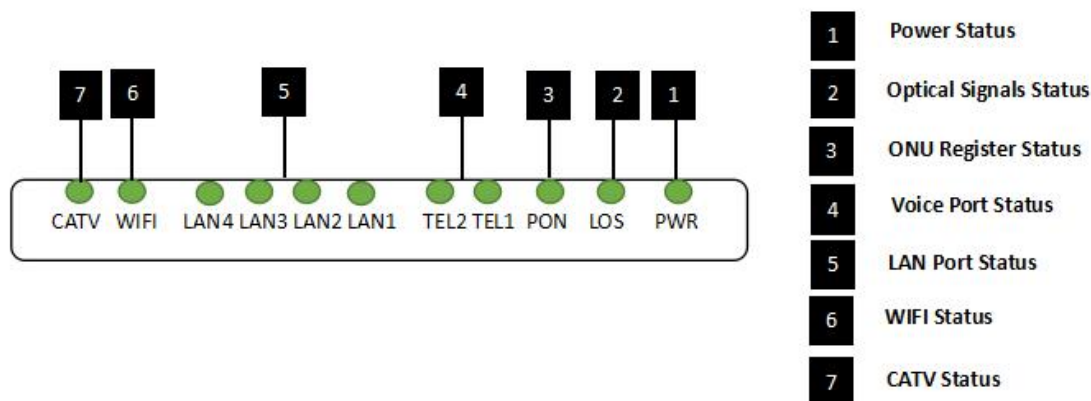
FD804GW-DAG-Z710 can integration wireless function with meet 802.11 a/b/g/n/ac technical standards. At the same time, it also supports 2.4GHz/5GHz dual-band wireless signal. It has the characteristics of strong penetrating power and wide coverage. It can provide users with more efficient data transmission security.

Functional Features

- Single-fiber access, provide Internet, voice, CATV and WIFI multiple services
- In compliant with ITU - T G.984.1/2/3/4 standard
- Meet 802.11 a/b/g/n/ac WIFI technical standard
- Support ONU auto-discovery/Link detection/remote upgrade of software
- Support Ethernet line performance statistics function
- Support OMCI+TR069 management mode
- Support VLAN tag/untag
- Support multicast Snooping/Proxy
- Support port binding
- Support loop-detection function
- Support device-based speed limitation
- Support MAC-address filter and URL access control
- Support H.248 and SIP protocol
- Support AES encryption and decryption
- Support Dynamic Bandwidth Allocation (DBA)
- Support ACL configure data packet filter flexibly
- EMS network management based on SNMP ,convenient for maintenance
- Support remote management CATV port state

Product Interface and LED Definitions





Indicator		Description	
1	PWR	Power status	On: The ONU is power on; Off: The ONU is Power off;
2	LOS	GPON optical signals	On: Optical power lower than receiver sensitivity ; Off: Optical in normal
3	PON	ONU Register	On: Success to register to OLT; Blinking: In process of registering to OLT; Off: In process of registering to OLT;
4	TEL1-2	Telephone port status	On : The connection between the TEL port and the voice server has been set up Blinking :The voice service of the TEL port is established; Off : The connection between the TEL port and the voice server is not set up.
5	LAN1-4	LAN port status	On: Ethernet connection is normal; Blinking: Data is being transmitted through the Ethernet port; Off: Ethernet connection is not set up;
6	WIFI	WIFI	Blinking : Data is being transmitted On : Wi-Fi function Opens
7	CATV	CATV status	On : CATV optical normal Off : The CATV signals are not received

Specification

Item		Parameter
Interface	PON Interface	1*GPON port, FSAN G.984.2 standard, Class B+ Downstream Data Rate: 2.488Gbps Upstream Data Rate: 1.244Gbps SC/PC single mode fiber 28dB Link loss and 20KM distance with 1:128
	CATV Interface	1 RF output

		F-Type Connector
	POTS Interface	2*RJ11 Max 1km distance Balanced Ring, 50V RMS
	Ethernet Interface	4*10/100/1000M auto-negotiation Full/half duplex mode RJ45 connector Auto MDI/MDI-X 100m distance
	USB interface	1*USB 2.0 interface Transmission Rate: 480Mbps
	Power Interface	12V DC Power supply
Performance Parameters	PON Optical Parameter	Wavelength: Tx 1310nm, Rx1490nm Tx Optical Power: 0.5~5dBm Rx Sensitivity: -28dBm Saturation Optical Power: -8dBm
	Data Transmission Parameter	PON Throughput: Downstream 2.488Gbit/s; Upstream 1.244Gbit/s Ethernet: 1000Mbps Packet Loss Ratio: <1*10E-12 latency: <1.5ms
Network Management	Management Mode	Standard compliant OMCI interface as defined by ITU-T G.984.4 Support TR069 and WEB management
	Management Function	Status monitor, Configuration management, Alarm management, Log management
Physical Features	Shell	White plastic casing
	Power	External 12VDC/1.5A power supply adapter Power consumption: <13.5W
	Dimension and Weight	Item Dimension: 240mm(L) x 240mm(W) x 24mm (H) Item weight: 0.4kg
	Environmental Specifications	Operating temperature: 0 to 50°C Storage temperature: -40 to 85°C Operating humidity: 10% to 90%(Non-condensing) Storage humidity: 10% to 90%(Non-condensing)



WIFI Features

- Comply with IEEE 802.11a/b/g/n/ac protocol standard, support 2.4GHz and 5GHz
- There are four external antennas
- 5dBi antenna gain
- Maximum ideal rate up to 1.2Gbps
- 2.4GHz supports 2*2 MIMO (Multiple-Input Multiple-Output) technology
- 5GHz supports 2*2 MIMO (Multiple-Input Multiple-Output) technology
- Support 8 SSIDs
- Support wider RF bandwidth, up to 80MHz
- Support higher 256-QAM modulation mode
- Support MIMO-OFDM encoding mode
- Support wireless security of 64/128 bit WEP、802.1x、WPA and WPA2



CATV

Item	Parameter
Wavelength	1550nm
Optical return loss	>45dB
Input optical power	-18dBm~0dBm
RF frequency	47MHz~1000MHz
RF output lever	78dBuV (@-12~-2dBm@85MHz)
CNR	>41dB (@-10dBm@DS22 Channel)
CSO	>60dBc (@-10dBm@DS22 Channel)
CTB	>60dBc (@-10dBm@DS22 Channel)
RF output return loss	>12dB
RF impedance	75Ω
AGC function	Support

Network Application

Typical Solution: FTTH

Typical Business: Internet, CATV, Voice, Wi-Fi



Figure: FD804GW-DAG-Z710 ONU Application Diagram

Ordering Information

Product Name	Product Model	Descriptions
Triple play Dual-Band ONU	FD804GW-DAG-Z710	4*10/100/1000M Ethernet interface, 1 GPON interface, 2 POTS interface, 1 USB interface, 1 RF interface, built-in FWDM, Input optical power -12dBm ~ 2dBm, support Dual-Band Wi-Fi function, support AGC function, Plastic casing, external power supply adapter